

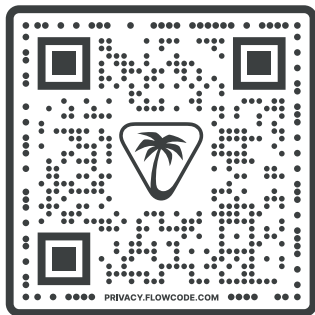


TURTLE BEACH™

VELOCITYONE™ F-RX

READ BEFORE USING | À lire avant d'utiliser | Vor Gebrauch lesen | Leer antes de usar
Leggere prima dell'uso | Przeczytaj przed użyciem | Lezen voor gebruik | Läs innan du använder
Les før bruk | Lue ennen käyttöä | Læs før brug | Před použitím si přečtěte
לשם שימוש נכון | 사용하기 전에 읽기 | ご使用前にお読みください | 使用前請閱讀

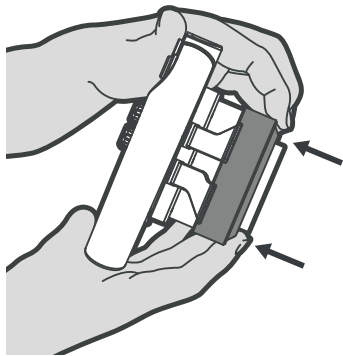
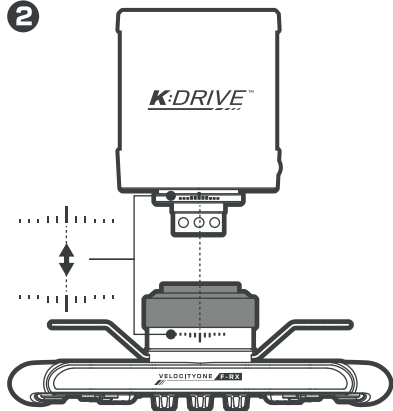
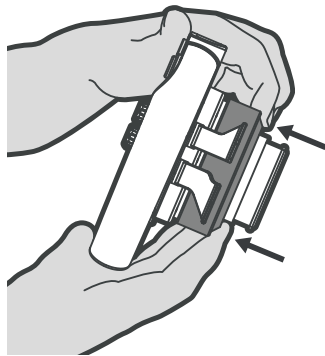
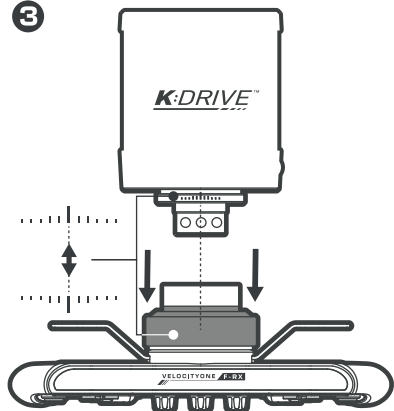
- EN** Scan the QR Code for additional instructions and support
- FR** Scannez le code QR pour obtenir le guide de démarrage rapide du produit
- DE** Scannen Sie den QR-Code für die Produktschnellstartanleitung
- ES** Escanee el código QR para obtener la Guía de inicio rápido del producto
- IT** Scannerizzare il codice QR per la guida rapida del prodotto
- PL** Zeskanuj kod QR, aby uzyskać skróconą instrukcję obsługi produktu
- NL** Scan de QR-code voor de beknopte handleiding van het product
- BE** Skanna QR-koden för produktens snabbstartsguide
- NE** Skann QR-koden for å få hurtigstartveiledningen for produktet
- FI** Skannaa QR-koodi tuotteen pikaoppaaseen
- DA** Scan QR-koden til produktets hurtigstartguide
- CS** Naskenujte QR kód pro stručnou příručku k produktu
- IV** הכימתו תופסון תוארוה תלבקל ה-QR ה דוק תא קורס
- KO** QR 코드를 스캔하여 제품 빠른 시작 가이드를 확인하세요.
- JP** QRコードをスキャンしてクイックスタートガイドをご覧ください。
- TW** 掃描 QR 碼，取得產品快速入門指南



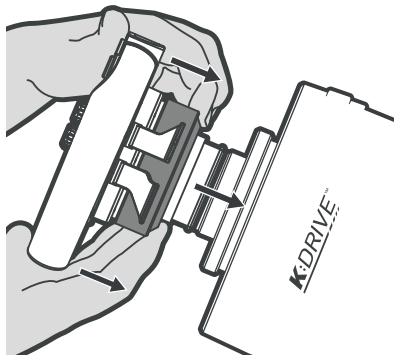
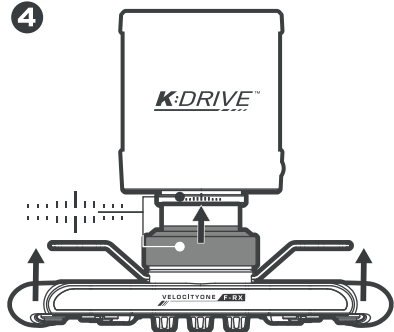
1



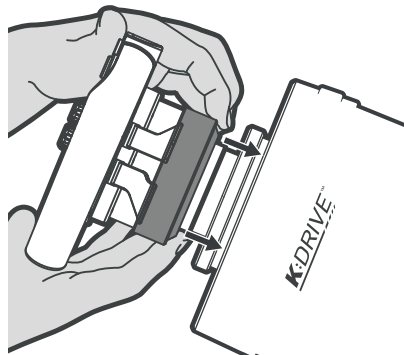
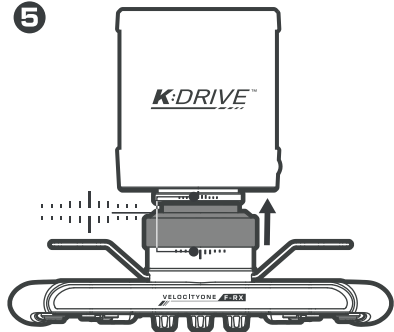
- EN** Update VelocityOne™ Race system firmware before connecting F-RX
- FR** Mettez à jour le micrologiciel du système VelocityOne Race™ avant de connecter le F-RX
- DE** Aktualisiere die VelocityOne Race™ System Firmware bevor du das F-RX anschließt
- ES** Actualiza el firmware del sistema del VelocityOne Race™ antes de conectar el F-RX
- IT** Aggiorna il firmware del sistema VelocityOne Race™ prima di collegare l'F-RX
- PL** Zaktualizuj oprogramowanie sprzętowe systemu VelocityOne Race™ przed podłączeniem F-RX
- NL** Werk de VelocityOne Race™-systeemfirmware bij voordat je F-RX koppelt
- SE** Uppdatera den inbyggda programvaran för VelocityOne Race™ innan du ansluter F-RX
- NE** Oppdater fastvaren for VelocityOne Race™-systemet før du kobler til F-RX
- FI** Päivitä VelocityOne Race™ -laiteohjelmisto ennen F-RX:n yhdistämistä
- DA** Opdater VelocityOne Race™-systemfirmwaren før tilslutning af F-RX
- CS** Před připojením F-RX aktualizujte firmware systému VelocityOne Race™
- EW** F-RX רוביץ ינפל VelocityOne Race™ תכרעמ לש החשוקה תא ונדע
- KO** F-RX 연결 전 VelocityOne Race™ 시스템 펌웨어 업데이트
- JP** F-RXを接続する前にVelocityOne Race™システムファームウェアのアップデートをしてください
- TV** 連接 F-RX 之前，請更新 VelocityOne Race™ 系統韌體

2**3**

4



5





TURTLE BEACH™

www.turtlebeach.com/warranty

www.turtlebeach.com/support

Please Register Your Product
Veuillez enregistrer votre produit
Bitte registrieren Sie Ihr Produkt
Registre su producto
Registrazione il prodotto
Zarejestruj swój produkt
Registreer uw product
Vänligen registrera din produkt

Vennligst registrer produktet ditt
Rekisteröi tuotteesi
Registreer venligst dit produkt
Zaregistrujte prosím svůj produkt
ךלש רצומה תא סושרל אנ
제품 등록하기
製品を登録してください
請註冊您的產品

www.turtlebeach.com/productregistration

Regulatory Compliance Statements for the VelocityOne™ F-RX

Local Restrictions on Radio Usage

Caution: Due to the fact that the frequencies used by wireless devices may not yet be harmonized in all countries, these radio products are designed for use only in specific countries, and are not allowed to be operated in countries other than those of designated use. As a user of these products, you are responsible for ensuring that the products are used only in the countries for which they were intended and for verifying that they are configured with the correct selection of frequency and channel for the country of use. Any deviation from the permissible power and frequency settings for the country of use is an infringement of national law and may be punished as such. To determine whether you are allowed to use your wireless network device in a specific country, please check to see if the radio type number that is printed on the identification label of your device is listed in the manufacturer's OEM Regulatory Guidance document at the following URL <http://www.turtlebeach.com/homologation> or contact Turtle Beach directly.



Federal Communications Commission (FCC) Compliance Notices

This section includes the following FCC statements for the VelocityOne™ F-RX:

- Non-Modification Statement
- Class B Interference Statement
- RF Radiation Exposure & Hazard Warning

FCC Caution

- Any changes or modifications not expressly approved by the party responsible for compliance could void the user's authority to operate this equipment.
- This transmitter must not be co-located or operating in conjunction with any other antenna or transmitter.

Radiation Exposure Statement

The product is a low power device and its output power is lower than FCC SAR exemption level.

IMPORTANT NOTE: In the event that this condition cannot be met (for example certain laptop configurations or co-location with another transmitter), then the FCC authorization is no longer considered valid and the FCC ID cannot be used on the final product. In these circumstances, the OEM integrator will be responsible for re-evaluating the end product (including the transmitter) and obtaining a separate FCC authorization.

Federal Communication Commission Interference Statement

This device complies with Part 15 of the FCC Rules. Operation is subject to the following two conditions: (1) This device may not cause harmful interference, and (2) this device must accept any interference received, including interference that may cause undesired operation.

Note: This equipment has been tested and found to comply with the limits for a Class B digital device, pursuant to Part 15 of the FCC Rules. These limits are designed to provide reasonable protection against harmful interference in a residential installation. This equipment generates, uses and can radiate radio frequency energy and, if not installed and used in accordance with the instructions, may cause harmful interference to radio communications. However, there is no guarantee that interference will not occur in a particular installation. If this equipment does cause harmful interference to radio or television reception, which can be determined by turning the equipment off and on, the user is encouraged to try to correct the interference by one of the following measures:

- Reorient or relocate the receiving antenna.
- Increase the separation between the equipment and receiver.
- Connect the equipment into an outlet on a circuit different from that to which the receiver is connected.
- Consult the dealer or an experienced radio/TV technician for help.

RF Radiation Exposure & Hazard Statements

This equipment complies with FCC radiation exposure limits set forth for an uncontrolled environment. End users must follow the specific operating instructions for satisfying RF exposure compliance. This transmitter must not be co-located or operating in conjunction with any other antenna or transmitter.

RF warning for Portable device

The device has been evaluated to meet general RF exposure requirement. The device can be used in portable exposure condition without restriction.

Non-Modification Statement

Use only the supplied internal antenna. Unauthorized antennas, modifications, or attachments could damage the VelocityOne™ F-RX and violate FCC regulations. Any changes or modifications not expressly approved by the party responsible for compliance could void the user's authority to operate this equipment. Please contact Turtle Beach for a list of approved 2.4 GHz antennas.

Innovation, Science and Economic Development Canada (ISED) Compliance Notices

This section includes the following ISED statements for VelocityOne™ F-RX:

- Class B Interference Statement
- RF Radiation Exposure & Hazard Warning

IC: 3879A-2501FRX

Industry Canada statement

This device complies with Industry Canada license-exempt RSS standard(s). Operation is subject to the following two conditions:

1) This device may not cause interference, and

2) This device must accept any interference, including interference that may cause undesired operation of the device.

Le présent appareil est conforme aux CNR d'Industrie Canada applicables aux appareils radio exempts de licence. L'exploitation est autorisée aux deux conditions suivantes:

1) L'appareil ne doit pas produire de brouillage, et

2) L'utilisateur de l'appareil doit accepter tout brouillage radioélectrique subi, même si le brouillage est susceptible d'en compromettre le fonctionnement.

This Class B digital apparatus complies with Canadian ICES-003.

Cet appareil numérique de la classe B est conforme à la norme NMB-003 du Canada.

This device and its antenna(s) must not be co-located or operating in conjunction with any other antenna or transmitter, except tested built-in radios.

Cet appareil et son antenne ne doivent pas être situés ou fonctionner en conjonction avec une autre antenne ou un autre émetteur, exception faite des radios intégrées qui ont été testées.

The Country Code Selection feature is disabled for products marketed in the US/ Canada.

La fonction de sélection de l'indicatif du pays est désactivée pour les produits commercialisés aux États-Unis et au Canada.

RF Radiation Exposure & Hazard Statement

The product complies with Canada portable RF exposure limits set forth for an uncontrolled environment and are safe for intended operation as described in this manual. The further RF exposure reduction can be achieved if the product can be kept as far as possible from the user body or set the device to lower output power if such function is available.


Exposition aux radiations RF & Mention de danger

Le produit est conforme aux limites d'exposition pour les appareils portables RF pour les États-Unis et le Canada établies pour un environnement non contrôlé. Le produit est sûr pour un fonctionnement tel que décrit dans ce manuel. La réduction aux exposition RF peut être augmentée si l'appareil peut être conservé aussi loin que possible du corps de l'utilisateur ou que le dispositif est réglé sur la puissance de sortie la plus faible si une telle fonction est disponible.

European Union and European Fair Trade Association (EFTA) Regulatory Compliance

This equipment may be operated in the countries that comprise the member countries of the European Union and the European Fair Trade Association. These countries, listed below, are referred to as The European Community throughout this document: AUSTRIA, BELGIUM, BULGARIA, CYPRUS, CZECH REPUBLIC, DENMARK, ESTONIA, FINLAND, FRANCE, GERMANY, GREECE, HUNGARY, IRELAND, ITALY, LATVIA, LITHUANIA, LUXEMBOURG, MALTA, NETHERLANDS, POLAND, PORTUGAL, ROMANIA, SLOVAKIA, SLOVENIA, SPAIN, SWEDEN, UNITED KINGDOM, ICELAND, LIECHTENSTEIN, NORWAY, SWITZERLAND.

Declaration of Conformity

Marking by this symbol: 

declares that this product is in compliance with the essential requirements and other relevant provisions of Directive 2014/53/EU.



UKCA Conformity

Radio Equipment Regulations 2017 (S.I. 2017/1206)

Operating frequency range: 2402-2480MHz

Max power: -1.36dBm

This equipment meets the following conformance standards:

FCC PART 15B
FCC47 CFR Part 15:2019TPCH(2021-2)
10 C.F.R. section 430.23(aa); Appendix Y to Subpart B of Part 430
ENERGY STAR Draft Test Method for Computers, Rev. October 2019, California Code of Regulations, Title 20, Division 2, Chapter CPSIA/H.R. 4040 Sec.108, CPSIA/H.R. 4040 Sec.101
EN 55032, EN55035
EN 71-1: 2014+A1 2018 Mechanical and Physical Test,
EN71-2:2011+A1:2014 Flammability
EN300328, 301489, 62479EN62368
SVHC 233+REACH Appendix 17 : VW 91101-2020
Total Cadmium Content (Entry 23 of REACH Annex XVII)
IEC 62321-7-2:2017,
IEC 62321-8:2017,
IEC 62321-4:2013+A1:2017,
IEC62321-6:2015,
IEC62321-5:2013,
Polycyclic Aromatic Hydrocarbons (PAHs) (Entry 50 of REACH ANNEX XVII)
BPA (toy<3 or intended for place in the mouth)
IC RSS-247 Issue 2 Feb.2017
Canada IC test for toy with IC (ICES-003)
NRCAN, Appendix Z to Subpart B of Part 430
AS/NZS CISPR 32:2015+A1:2020
BS EN IEC62368-1:2012+A11:2020

Please visit the following URL for a complete copy of the Declaration of Conformity: <http://www.turtlebeach.com/homologation>



This symbol on the product or its packaging indicates that this product must not be disposed of with your other household waste. Instead, it is your responsibility to dispose of your waste equipment by handing it over to a designated collection point for the recycling of waste electrical and electronic equipment. The separate collection and recycling of your waste equipment at the time of disposal will help conserve natural resources and ensure that it is recycled in a manner that protects human health and the environment.

For more information about where you can drop off your waste for recycling, please contact your local authority, or where you purchased your product.

Voyetra Turtle Beach Inc. is obligated as a producer with a main activity of selling under The Producer Responsibility Obligations (Packaging Waste) Regulations 2007. To fulfil our obligation we are registered with Comply Direct and their Recycling Room. Here you will find advice and information on packaging waste management, recycling symbols and the waste hierarchy principles of reduce, reuse and recycle.
<https://www.complydirect.com/the-recycling-room/>



Attention

Type-C output port is only used for data transmission, not for output on-load.

Attention

To avoid risk of fire, please just connect the product to a power supply of which output capability is less than 15W.

Portable device

Radiation Exposure Statement: This product complies with the Canada portable RF exposure limit set forth for an uncontrolled environment and are safe for intended operation as described in this manual. The further RF exposure reduction can be achieved if the product can be kept as far as possible from the user body or set the device to lower output power if such function is available.

Déclaration d'exposition aux radiations : Le produit est conforme aux limites d'exposition pour les appareils portables RF pour les États-Unis et le Canada établies pour un environnement non contrôlé. Le produit est sûr pour un fonctionnement tel que décrit dans ce manuel. La réduction aux expositions RF peut être augmentée si l'appareil peut être conservé aussi loin que possible du corps de l'utilisateur ou que le dispositif est réglé sur la puissance de sortie la plus faible si une telle fonction est disponible.



FR

Cet appareil et
ses accessoires
se recyclent

A déposer
en magasin



A déposer
en déchèterie

